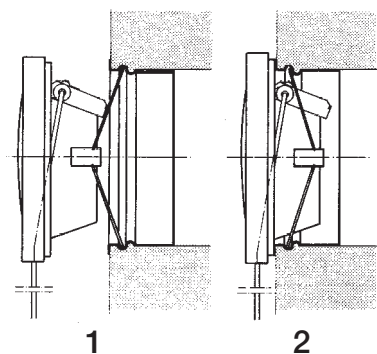
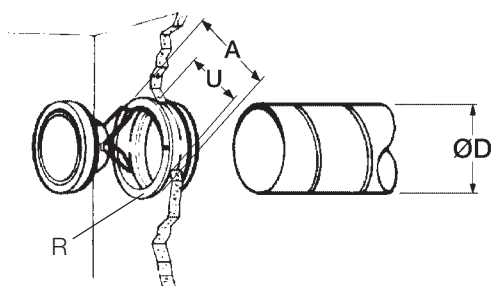


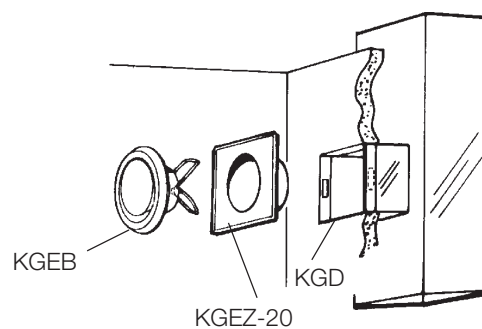
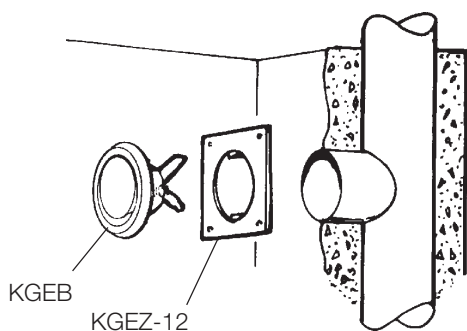
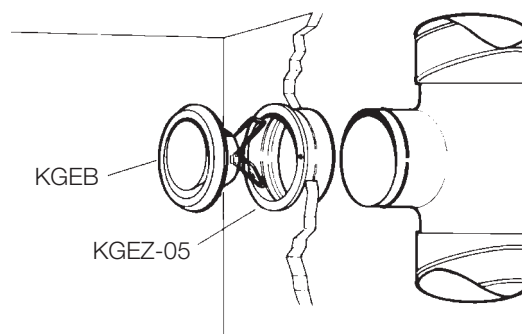
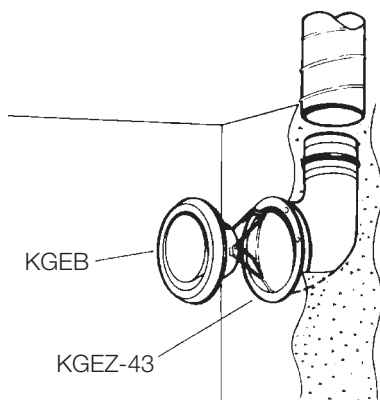
KGEB

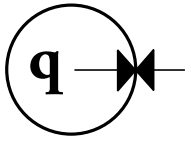
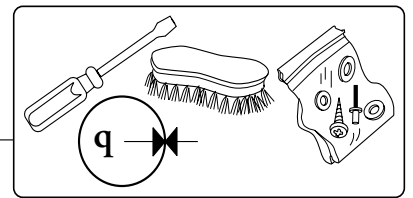


KGEB



	ØD	ØU	ØA	R
KGEB-, KGER-100	100	110	125	KGEZ-01-10
KGEB-, KGER-125	125	135	150	KGEZ-01-12
KGEB-, KGER-160	160	170	185	KGEZ-01-16





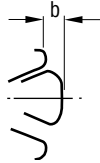
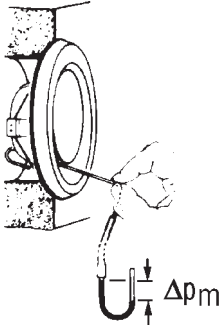
$$q = k \sqrt{\Delta p_m}$$

(l/s) (Pa)

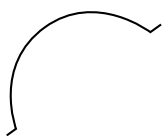
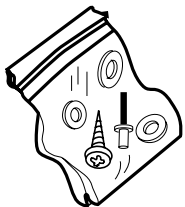
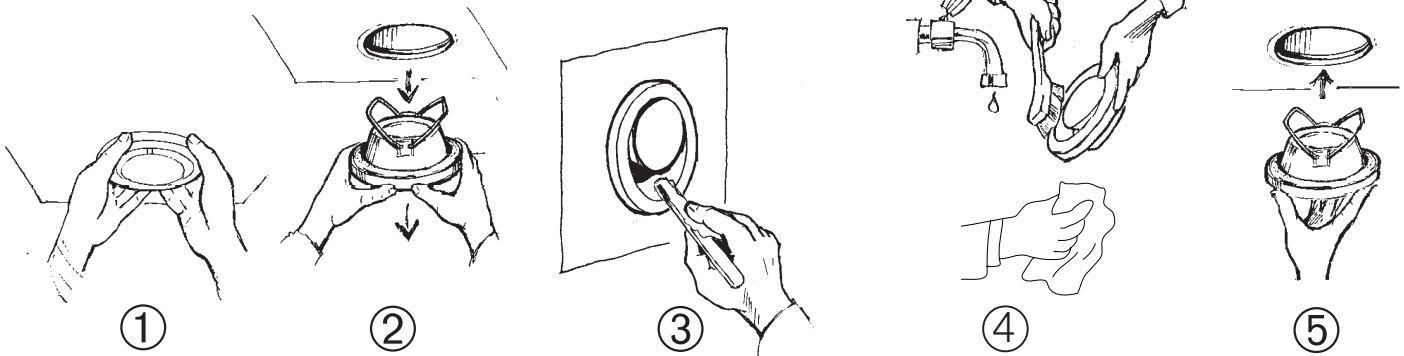
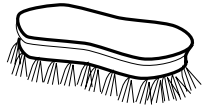
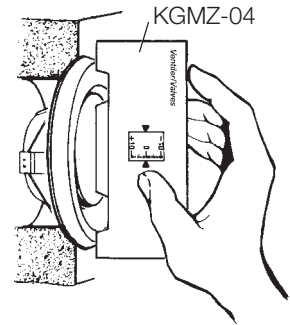
$$q = 3.6k \sqrt{\Delta p_m}$$

(m³/h) (Pa)

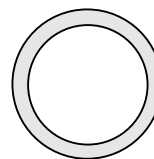
KGEB



KGEB	b	-11	-9	-6	0	+6	+9
100	k	0.39	0.56	0.82	1.36	1.9	2.2
KGEB	b	-22	-18	-12	-6	0	+6
125	k	0.88	1.3	1.8	2.4	2.9	3.4
KGEB	b	-24	-18	-12	-6	0	+6
160	k	1.8	2.5	3.1	3.9	4.6	5.4



	ØD	
KGEB-100	100	KGEB-99-01-3
KGEB-125	125	KGEB-99-01-4
KGEB-160	160	KGEB-99-01-2



	ØD	
KGEB-100	100	KGEB-99-10-05
KGEB-125	125	KGEB-99-12-05
KGEB-160	160	KGEB-99-16-05