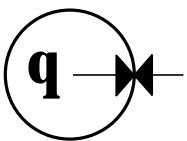
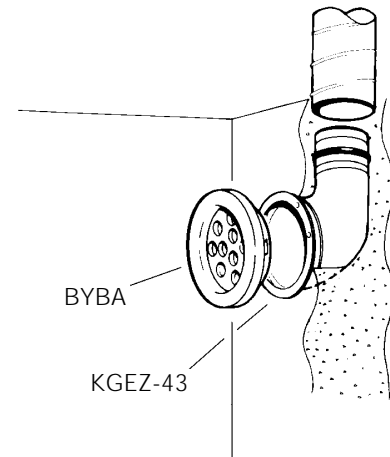
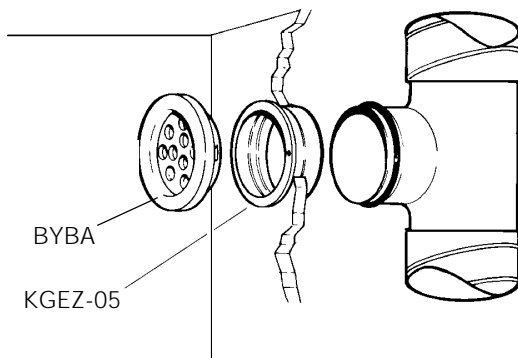
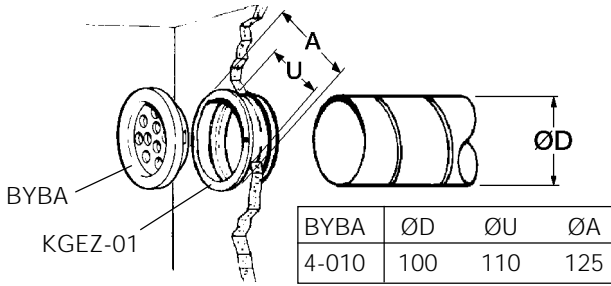


BYBA

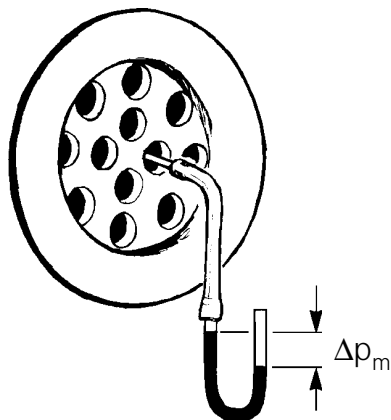


$$q = k \sqrt{\Delta p_m}$$

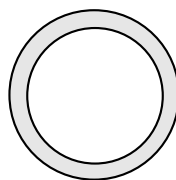
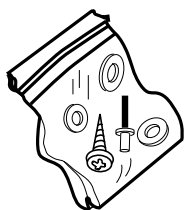
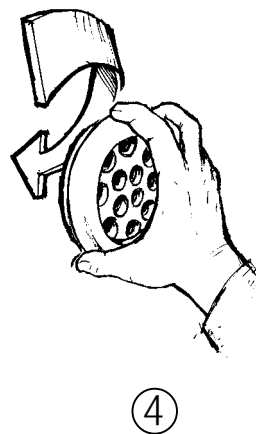
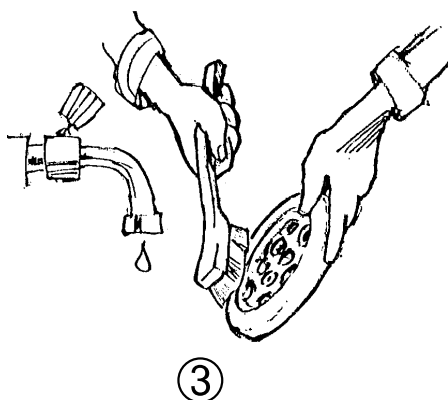
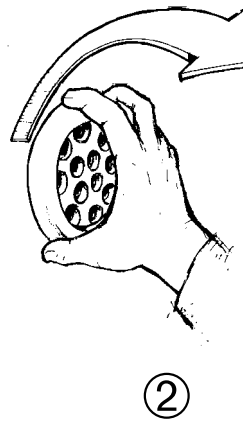
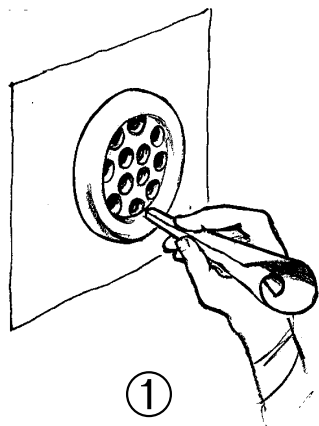
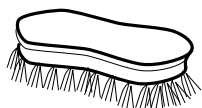
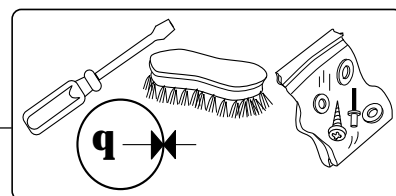
(l/s) (Pa)

$$q = 3.6k \sqrt{\Delta p_m}$$

(m³/h) (Pa)



	k2
1	0.24
2	0.42
3	0.59
4	0.80
5	0.98
6	1.2
7	1.5
8	1.6
9	1.8
10	2.1
11	2.3
12	2.5



BYBA-4-010

ØD  
100

BYBA-99-01